

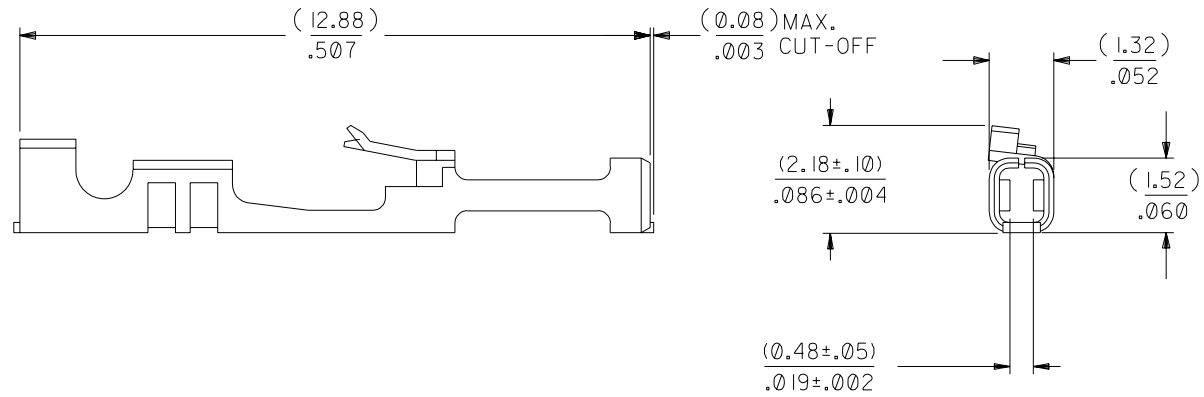
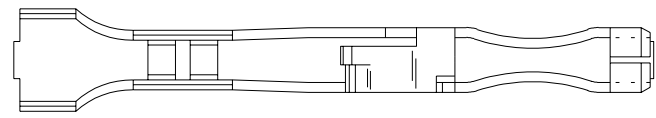
NOTES:

1. TERMINAL TO BE USED IN HOUSINGS 70066-**** AND 70450-****
2. REFER TO PRODUCT SPECIFICATION PS-71851
3. REFER TO MOLEX OPERATIONS AND SERVICE MANUAL FOR CRIMP DETAILS
4. TERMINAL TO BE USED WITH (0.64)/.025 SQUARE PINS
5. TERMINAL TO BE USED WITH 24-30 AWG STRANDED WIRE WITH (1.52)/.060 MAX. DIA. INSULATION
6. TERMINALS SUPPLIED LOOSE PER DRAWING PK-70873-0822

PLATING:

.000030 MINIMUM GOLD PLATE IN SELECT AREA WITH .000075 MINIMUM TIN PLATE IN SELECT AREA OVER NICKEL PLATE OVERALL

*THE PRIMARY SHIPPING CARTON WILL BE LABELED "COMPLIANT TO RoHS DIRECTIVE 2002/95/EC AND ELV ANNEX II OF DIRECTIVE 2000/53/EC". CARTONS WITHOUT THIS LABEL MAY CONTAIN PRODUCT WITH LEAD.



				C1		REVISED PER ECR #U70928 MCGRATH 97/06/26		DIMENSIONS SHOWN (METRIC) INCH UNLESS OTHERWISE SPECIFIED TOLERANCES: ANGULAR ± 1/2°		▽ = 0 ▼ = 0 REVISE ONLY ON CAD SYSTEM	
		D		C		LEAD FREE UCP2004-1769 RWHITE 04/03/24		INCH METRIC		TITLE	
		C2		B		REVISE PER ECR #U80270 MCGRATH 97/07/31		3 PLACE ± .010 ---		MOLEX INCORPORATED SHEET NO. DATE	
		LTR.		LTR.		REVISE PER ECR #U80064 3/25/88 MJM		2 PLACE ± .014 ± 0.25		LISLE, ILL. 60532 U.S.A. 03/25/88	
								1 PLACE --- ± 0.35		PART NO.	
								DRAFT WHERE APPLICABLE MUST REMAIN WITHIN DIMENSIONS		SD-71851-0208	
								DRWG. BY: MJM CHK'D. BY: MJM		FILE NAME	
								APP'D. BY: WAZ SCALE 10:1		S71851X26	
										THIS DRAWING CONTAINS INFORMATION THAT IS PROPRIETARY TO MOLEX INC. AND SHOULD NOT BE USED WITHOUT WRITTEN PERMISSION.	
										DIV. SIZE	
										DA B	